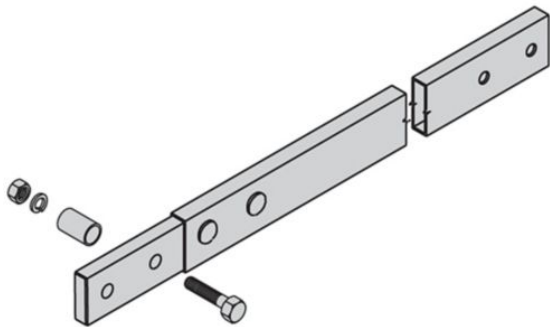


Eaton SB220205TG

Catalog Number: SB220205TG

Eaton auxiliary support channel, Steel, Pre-assembled channel, spacer, and hardware included, 5" length, Telco gray powder coat, 2" X 9/16" Support channel

General specifications



Product Name	Catalog Number
Eaton auxiliary support channel	SB220205TG
UPC	Product Length/Depth
799038019565	5 in
Product Height	Product Width
0.56 in	2 in
Product Weight	Certifications
10 lb	Not Applicable

Product specifications

Model

2" X 9/16" support channel

Material

Steel

Finish

Telco gray powder coat

Resources

Catalogs

[auxillary supports](#)

Specifications and datasheets

[Eaton Specification Sheet - SB220205TG](#)



Eaton Corporation plc
Eaton House
30 Pembroke Road
Dublin 4, Ireland
Eaton.com

© 2023 Eaton. All Rights Reserved.

Eaton is a registered trademark.

All other trademarks are property of their respective owners.



[Eaton.com/socialmedia](https://www.eaton.com/socialmedia)